

CONTROLLERS

OUTDOOR SENSOR SERIES CRC911

Outdoor sensor with ESBE "EsBus" serial protocol.



CRC911

TECHNICAL DATA

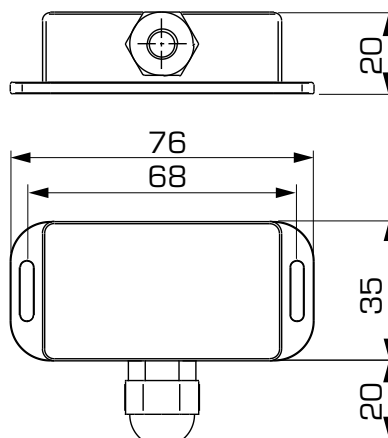
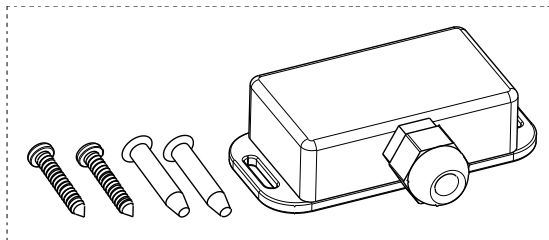
Temperature range: _____ -50°C to +70°C
 Material, Box: _____ ABS

SUITABLE CONTROLLERS

- Series CRA100, CRA200
- Series CRC100, CRC200
- Series CRB100, CRB200
- Series CRD100, CRD200

SCOPE OF DELIVERY

Outdoor sensor with screws and plugs in plastic bag



SERIESCRC900, OUTDOOR SENSOR

Art. No.	Reference	Temp. range	Note	Weight [kg]
17056000	CRC911	-50 - 70°C		0,034